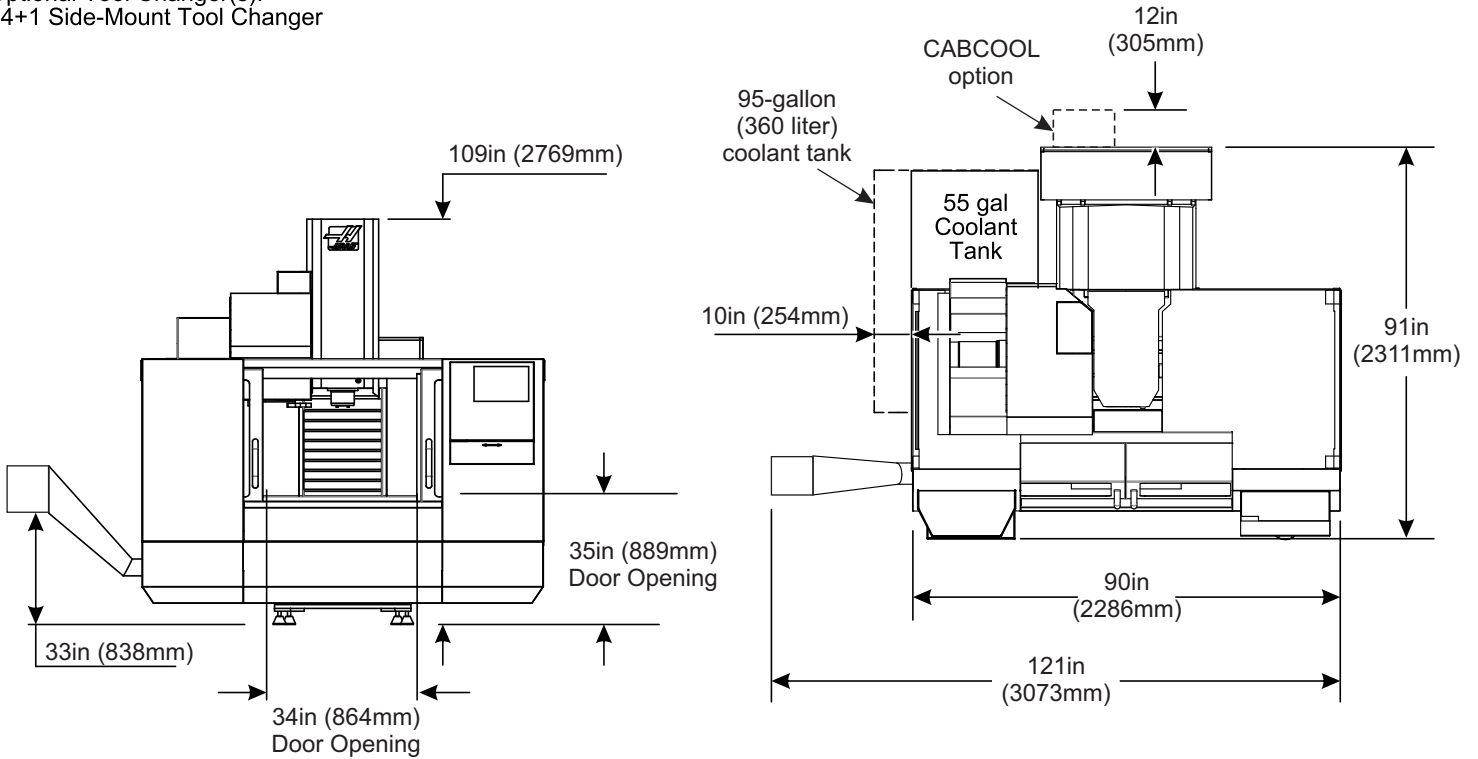




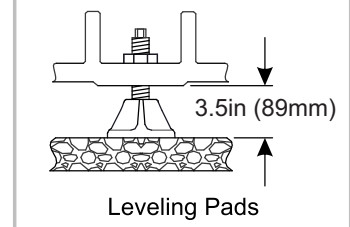
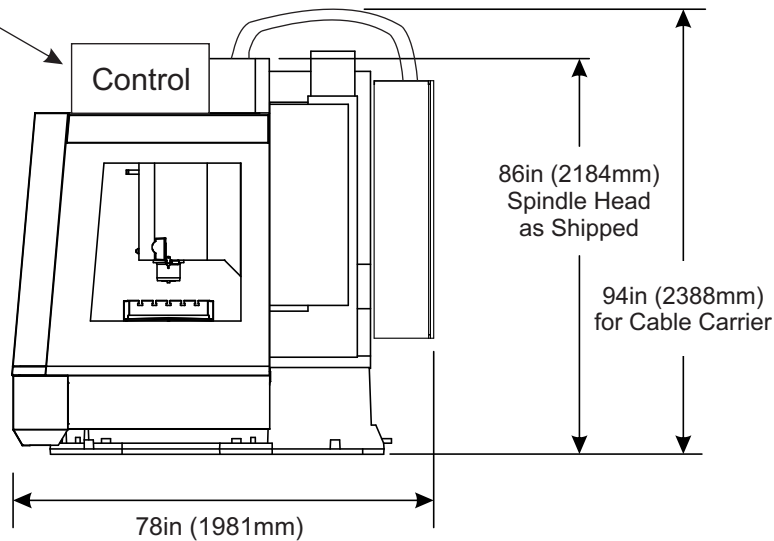
Standard Tool Changer:  
20 station Umbrella Tool Changer  
Optional Tool Changer(s):  
24+1 Side-Mount Tool Changer

Operating Dimensions



Shipping Dimensions

Convenience package removed;  
Control mounted on top  
for shipping

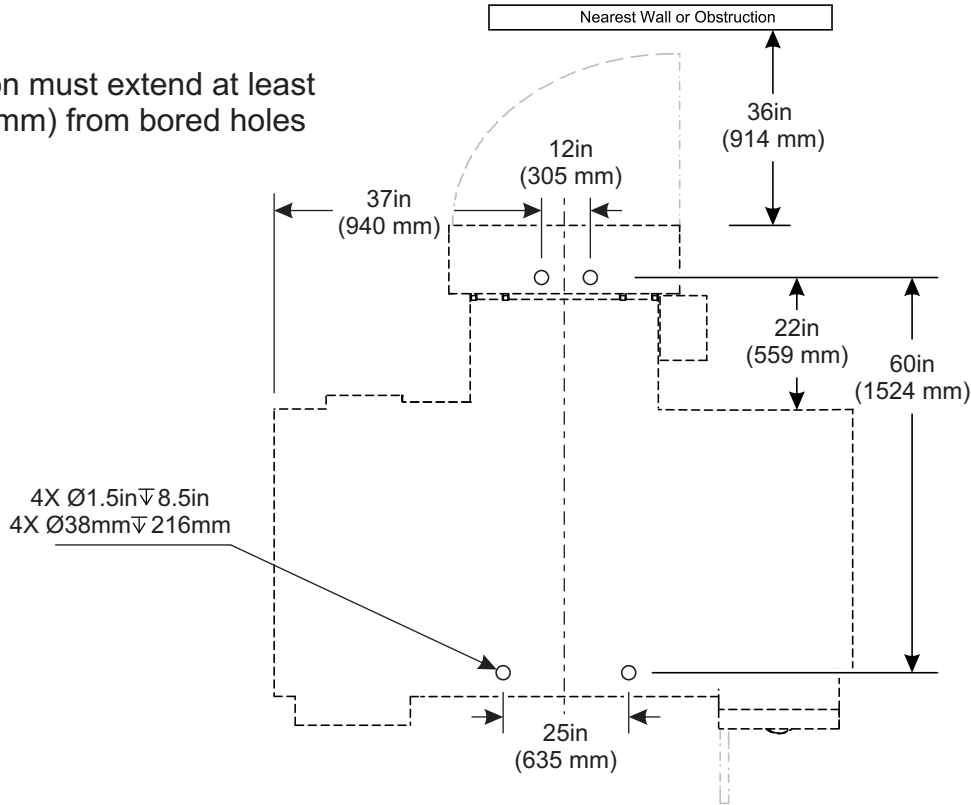


Shipping height (94"/2388mm) and width (78"/1981mm) shown  
Contact your local Haas Factory Outlet  
for further breakdown information



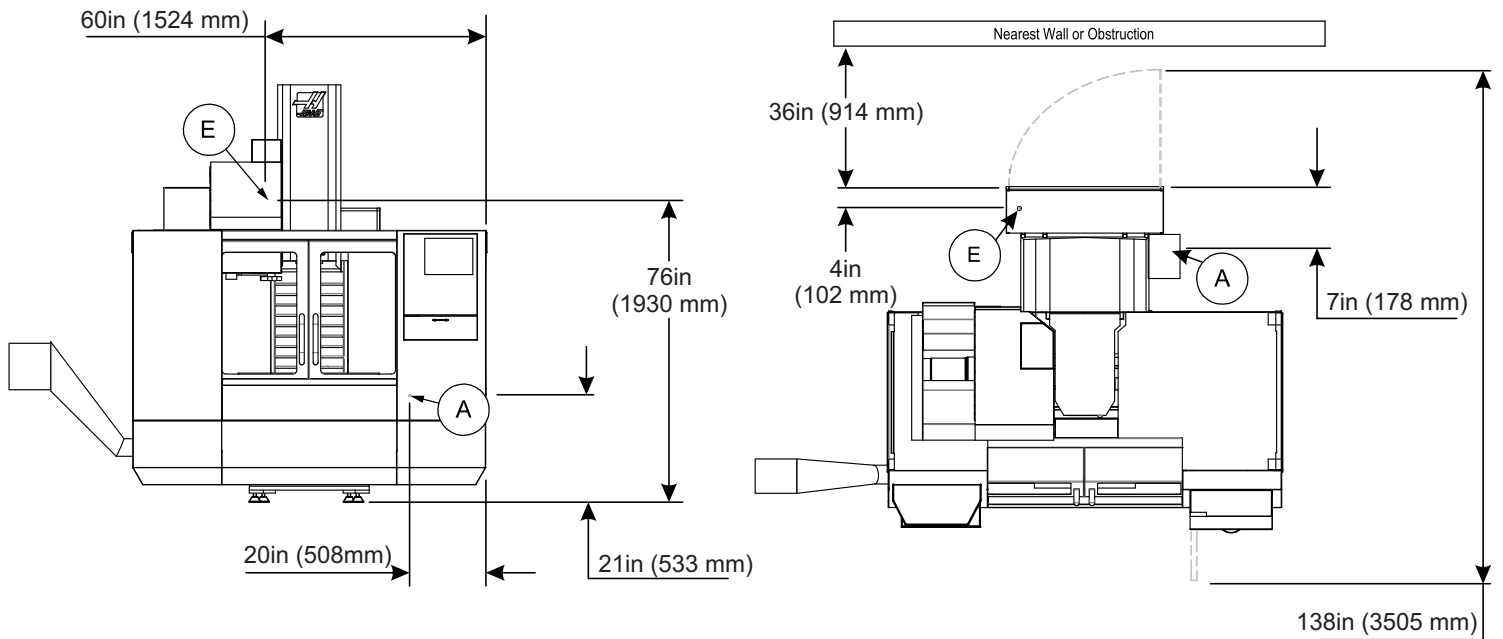
### Anchor Pattern

Note:  
Foundation must extend at least  
12in (305mm) from bored holes



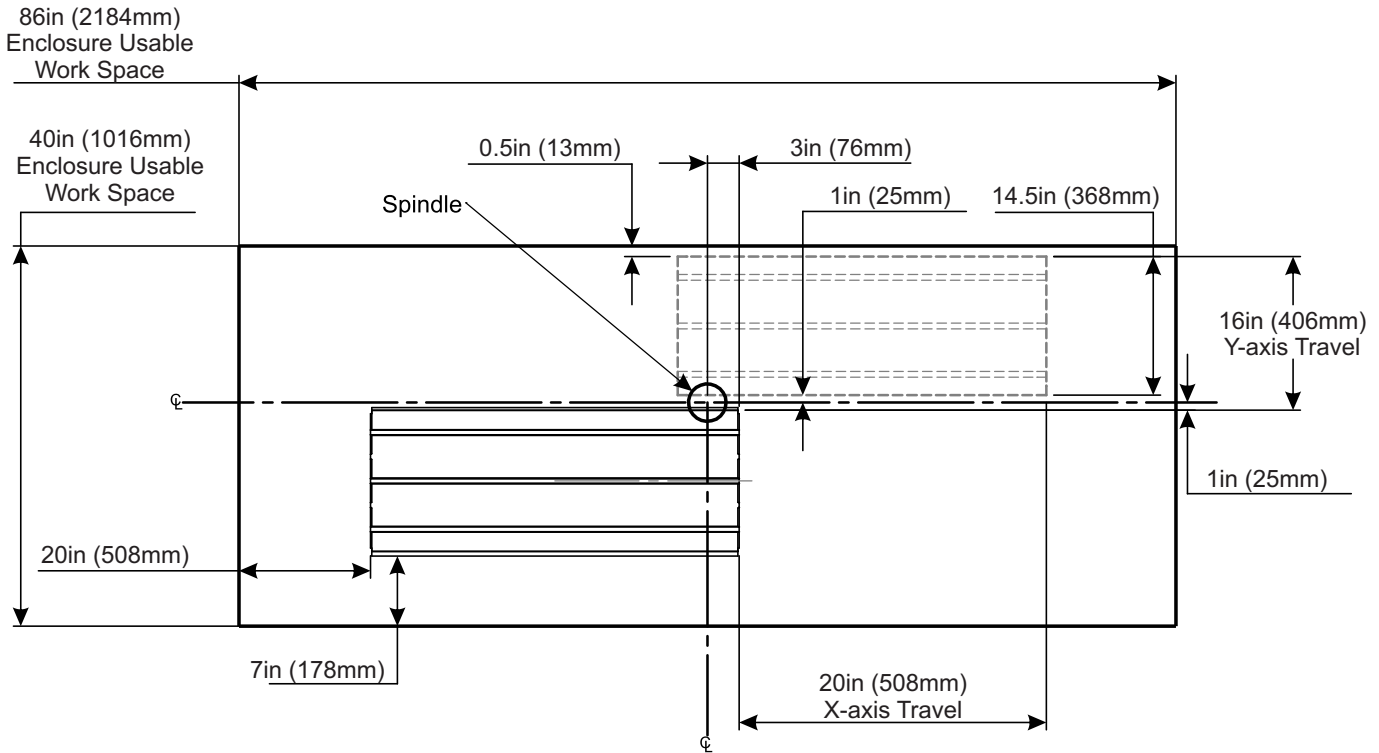
### Air and Power Inlets

- ⓔ Electrical Connection
- ⓐ Air Connection





### X/Y Axis Clearances



1. The table shown is at XY home, the dashed line is the table at max XY travels
2. Measurements are from the edge of the table to the nearest obstruction
3. Dimensions shown are at the top of the table, dimensions are reduced as the height increases (5 degree slope inside the sheet-metal)
4. Dimensions are symmetrical unless otherwise stated

### Z Axis Clearances

Notes:

1. P-Cool dimension varies based on P-Cool position
2. Refer to the page on tool changer dimensions for tool changer heights

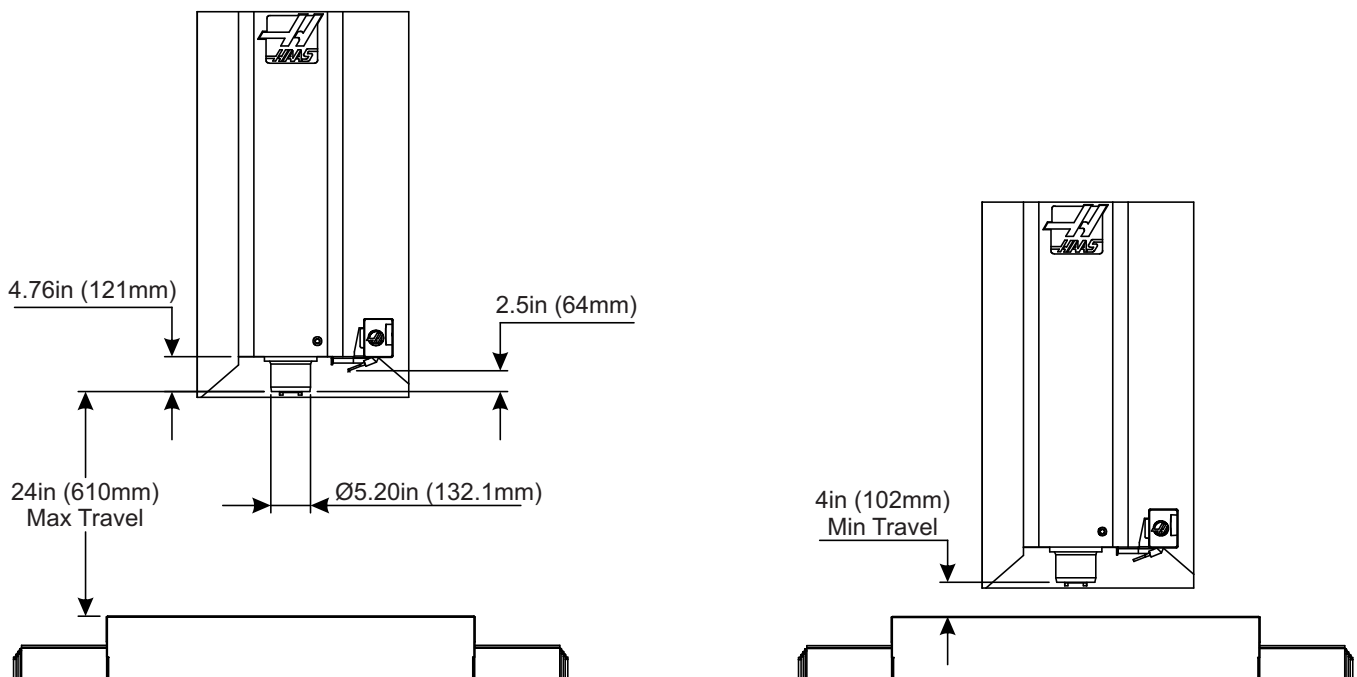
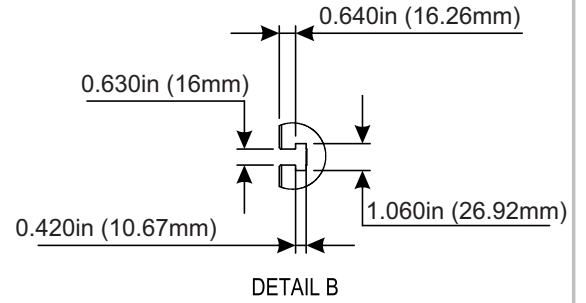
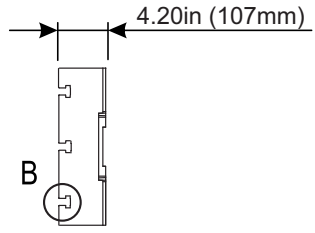
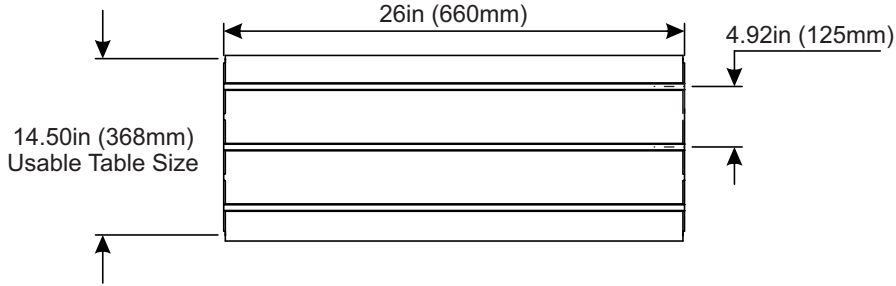
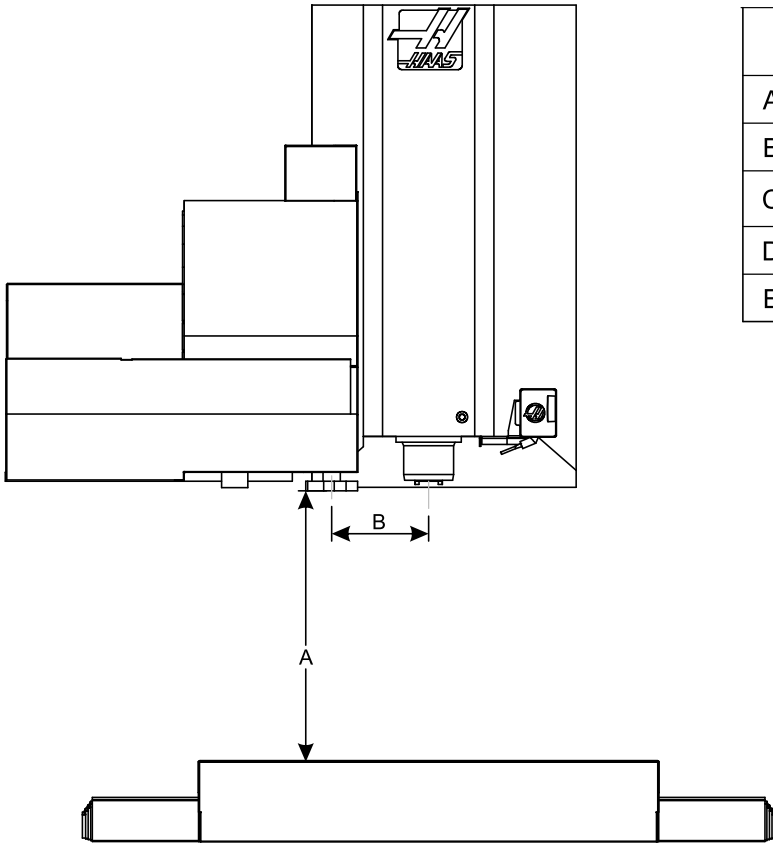




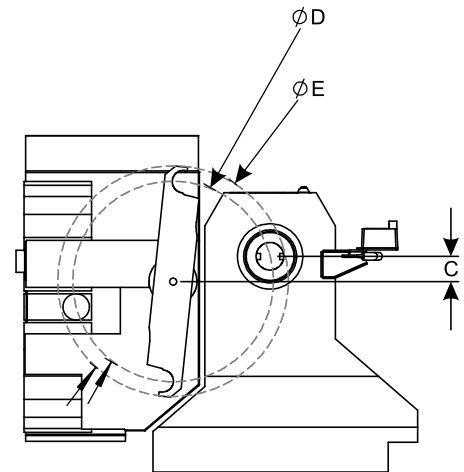
Table Dimensions



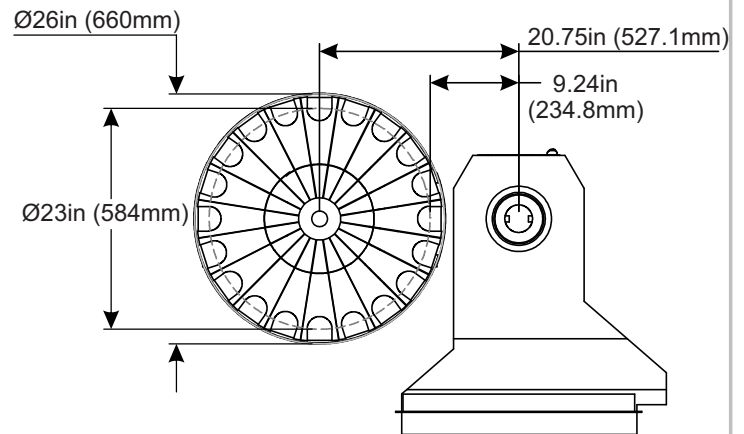
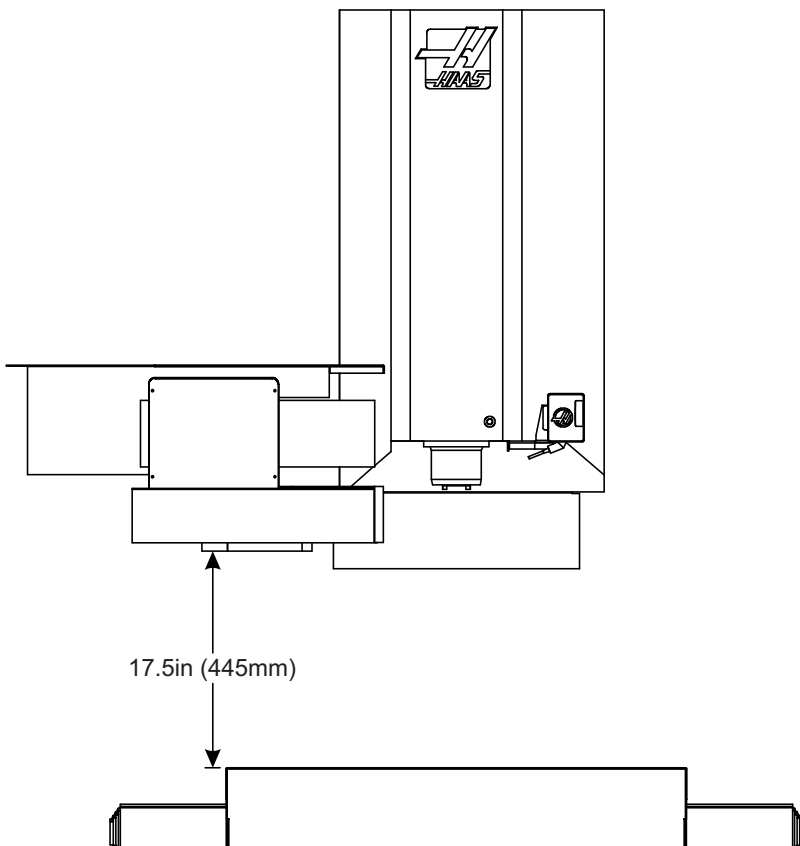
Side-Mount Tool Changer Travels



	24+1 Pocket	
A	22.5in	572mm
B	10in	254mm
C	3in	76mm
D	21in	533mm
E	24in	610mm



Umbrella Tool Changer Travels



The Umbrella Tool Changer moves in towards the spindle to do a tool change.